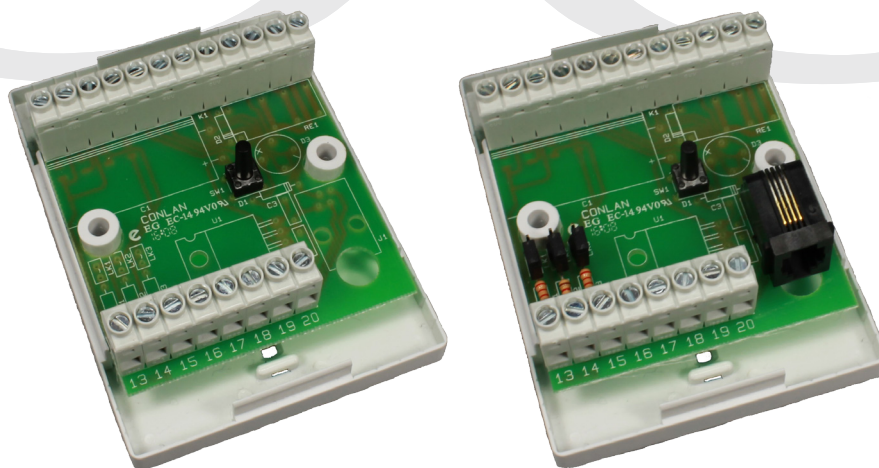


# Assembly board CVT1 / CVT2

CVT 1 - Art. No: 460085  
CVT2 - Art. No.: 460086

## Manual



**CE**



## Assembly board - CVT1

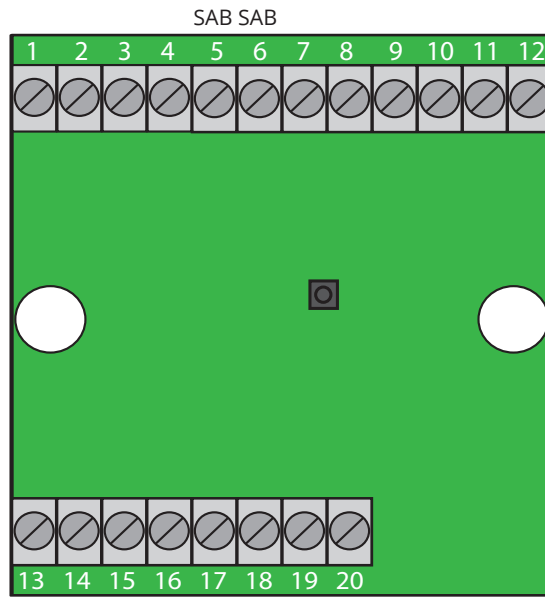
- 20 free connection terminals
- Tamper switch
- Board dimensions (HxW): 60x60 mm
- Box dimensions (HxWxD): 88,5x65x31 mm

## Assembly board - CVT2

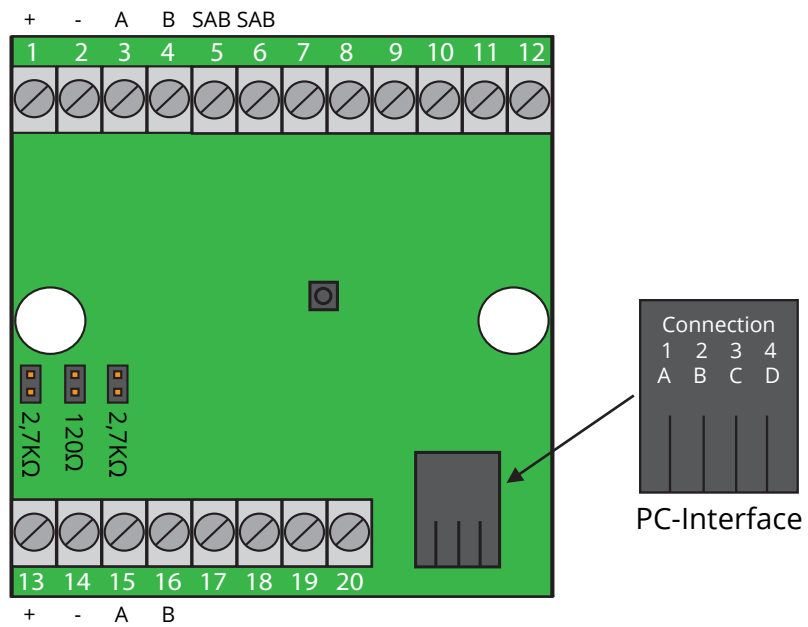
- Each with 2 connections for the RS485 Bus A + B and for 12 VDC +/-
- Modular socket (western) to connect the PC-Interface
- Pull-up/Pull-down - resistors are selectable via jumpers
- 10 free connection terminals
- Tamper switch
- Board dimensions (HxW): 60x60 mm
- Box dimensions (HxWxD): 88,5x65x31 mm



# CVT1



# CVT2





Terminal	CVT1	CVT2
1		+12 VDC
2		-12 VDC
3		RS485 Bus A
4		RS485 Bus B
5	Tamper switch	Tamper switch
6	Tamper switch	Tamper switch
7		
8		
9		
10		
11		
12		
13		+12 VDC
14		-12 VDC
15		RS485 Bus A
16		RS485 Bus B
17		
18		
19		
20		

Thank you for choosing Conlan's products.

For further assistance, please contact  
Our support service.