

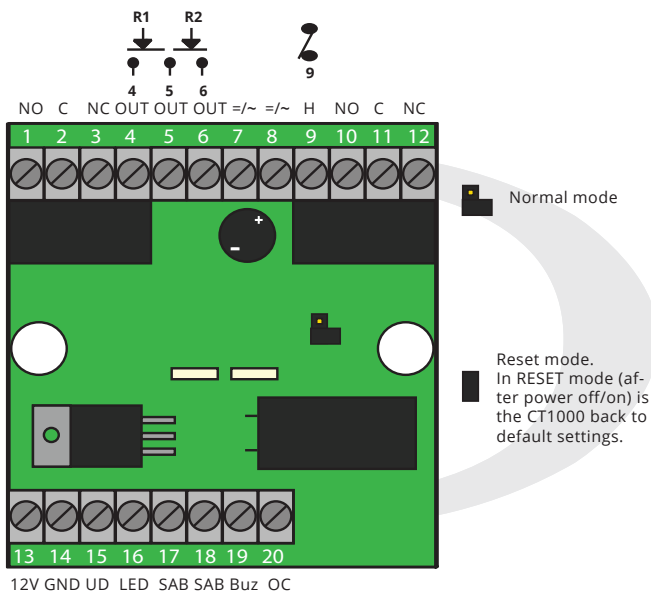
Assembly - connection box

CVT6,2 - Art. No: 460099

Connection box for CT1000

The connection box has an inbuilt converter for the CT1000. Connect up to 24V AC or DC on connector 7 and 8 and the you will have 12V DC on connector 13 and 14. There are 2 relays (C NC NO) for the door. Relay 2 is activated from connector 20 and relay 1 from connector 17. The REX button can be connected on connector 5 and 6. Connector 9 is an option for Hold function. The connector box makes it simple for you - wire all the wires from the installation on connector 1 to 12 and the wires from CT1000 on connector 13 to 20.

Alle klemmerne 1 til 12 er fra installationen:



Connector	Description	Color
1	NO (relay 1)	
2	C (relay 1)	
3	NC (relay 1)	
4	REX (relay 1)	
5	REX (relay 1 and 2)	
6	REX (relay 2)	
7	Input =/~	
8	Input =/~	
9	Hold, magnetic. contact	
10	NO (relay 2)	
11	C (relay 2)	
12	NC (relay 2)	

All connectors from 13 to 20 is for CT1000.

On the connectors (13 and 14) can power be supplied up to approx. 100mA.

Wire color	Description	Connector
Red	12V DC	13
Black	GND	14
Blue	REX	15
Orange	Red LED, 0V	16
White	Output, 0V	17
Green	Green LED, 0V	18
Brown	Buzzer/Hold	19
Yellow	Output, 0V	20

The connection box CVT6,2 has 2 relays and CT1000 has 2 outputs for these 2 relays.

By delivery and mounting after the description, activates relay 2 by the codes. The code 1234 activates relay 2 and the bell key activates relay 1 for 5 seconds.

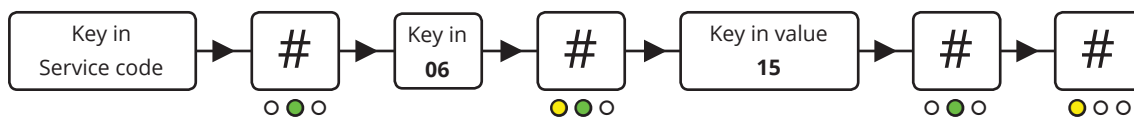
Conversion so that a part of the code activates relay 2 and the rest activates relay 1.

In position 6 in the CT1000 there can be selected a demarcation line between relay 2 and relay 1.

Example:

Enter value 15 means that all codes up to position 15 activates relay 2 and the codes from position 16 to 28 activates relay 1.

It is programmed as followed:



So are the settings made.