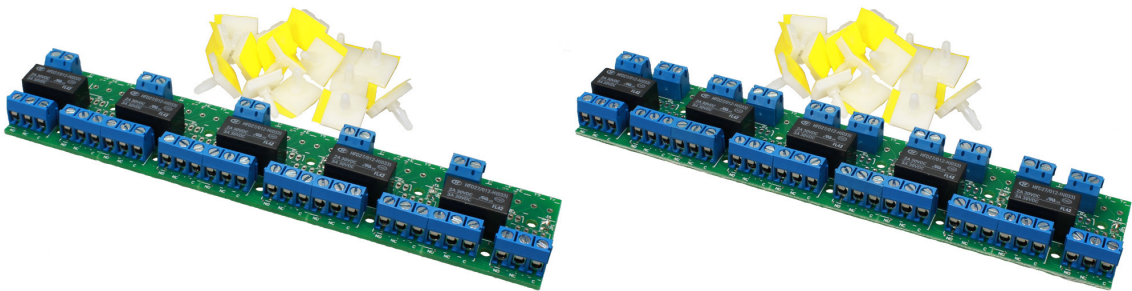


# Relay board RPO / RPT0

RPO - Art. No.: 460150  
RPT0 - Art. No.: 460151

## Manual





## Relay board - RP0

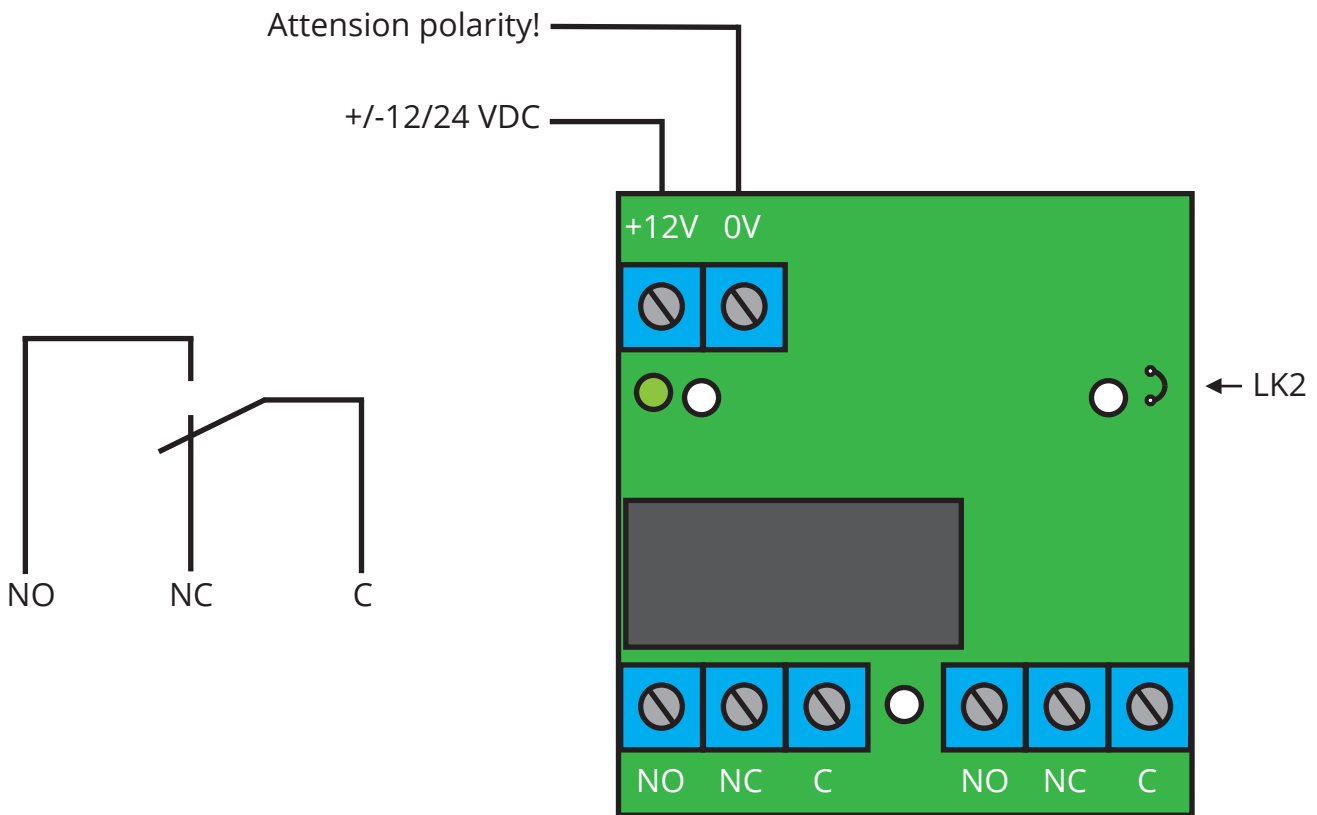
- Controllable with 12 or 24 VDC
- 2 changeover contacts (30V/2A)
- Protective diode and LED indication (green)
- Board dimensions (HxW): 38x34 mm
- Incl. 3 self-adhesive spacers for quick mounting
- Power consumption:           at 8-17 VDC/10-23 mA  
  at 17-30VDC/11-18 mA

## Relay board - RPT0

- Controllable with 12 or 24 VDC
- 2 changeover contacts (30V/2A)
- Protective diode and LED indication (green)
- Board dimensions (HxW): 38x34 mm
- Incl. 3 self-adhesive spacers for quick mounting
- Input amplifier, controlled by + and/or -
- Drive current <1 mA
- Power consumption:           at 8-17 VDC/10-23 mA  
  at 17-30 VDC/11-18 mA



# RP0 installation guide



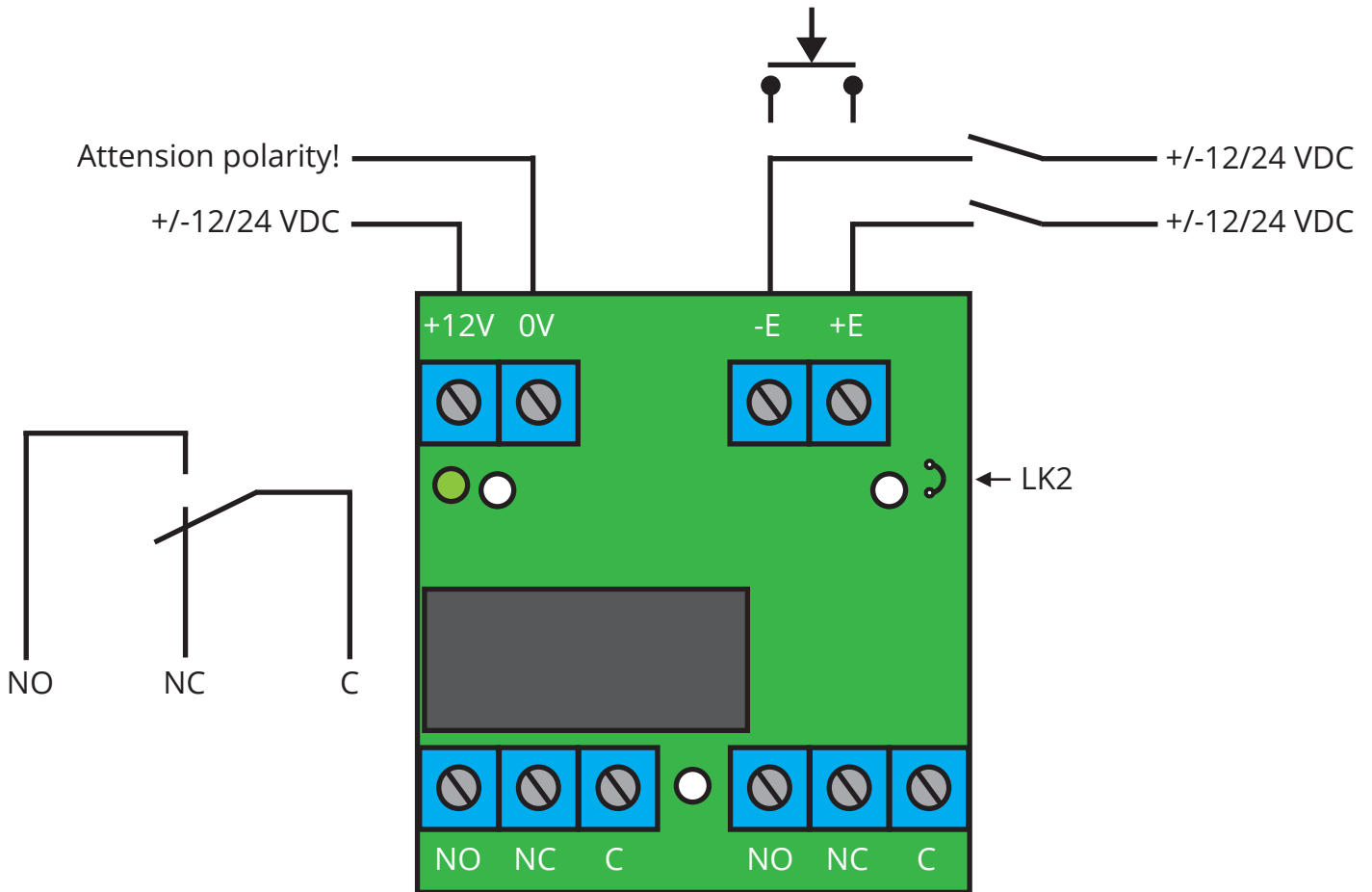
Load max. 30 VDC/2 A

	LK2 intact (12V)	LK2 broken (24V)
Voltage	8-17 VDC	17-30 VDC
Consumption	10-23 mA	11-18 mA

+	+12 VDC
-	-12 VDC
C	
NC	
NO	
C	
NC	
NO	



# RPT0 installation guide



Load max. 30 VDC/2 A

	Relay ON		Relay OFF
	LK2 intact (12V)	LK2 broken (24V)	
Voltage	8-17 VDC	17-30 VDC	
Consumption	10-23 mA	11-18 mA	< 0,01 mA

+	+12 VDC
-	-12 VDC
+E	
-E	
C	
NC	
NO	
C	
NC	
NO	