

## Mounting of CT/PR/BT/CP CONLAN readers

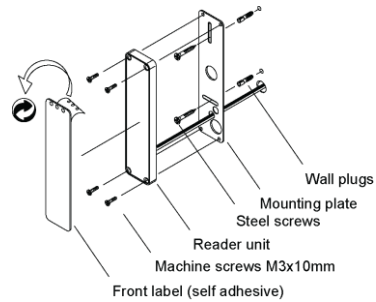
Direct mounting with enclosed screws and plugs or by means either a mounting plate or a framework as described here:

### Mounting plate (Art. No.: 460081):

Mounting plate in stainless steel allows for quick and easy mounting on all types of surfaces.

The mounting plate contains:

- 1 pcs 2 mm stainless steel plate
- 4 pcs Machine screws M3x10
- 2 pcs Screws 4x40
- 2 pcs Plugs 6x30



## Mounting of CT/PR/BT/CP CONLAN readers

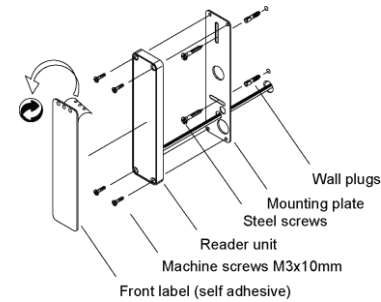
Direct mounting with enclosed screws and plugs or by means either a mounting plate or a framework as described here:

### Mounting plate (Art. No.: 460081):

Mounting plate in stainless steel allows for quick and easy mounting on all types of surfaces.

The mounting plate contains:

- 1 pcs 2 mm stainless steel plate
- 4 pcs Machine screws M3x10
- 2 pcs Screws 4x40
- 2 pcs Plugs 6x30



### Framework for mounting (Art. No.: 460035) (white RAL 9016):

Framework allows quick and easy mounting on all surfaces. Forms for the cable outlet in all directions.

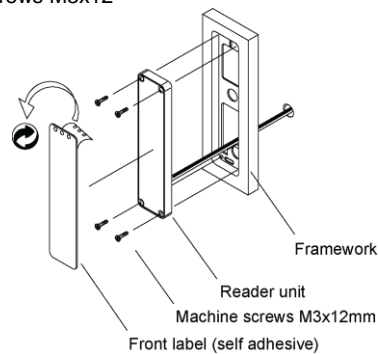
Art. No.: 460035 (Anthracite grey 7016)

Art. No.: 460039 (Silver RAL 9006)

Other colors made by order.

The framework contains:

- 1 pcs Frame (H x W x D) 156 x 76 x 15
- 4 pcs Machines screws M3x12



### Framework for mounting (Art. No.: 460035) (white RAL 9016):

Framework allows quick and easy mounting on all surfaces. Forms for the cable outlet in all directions.

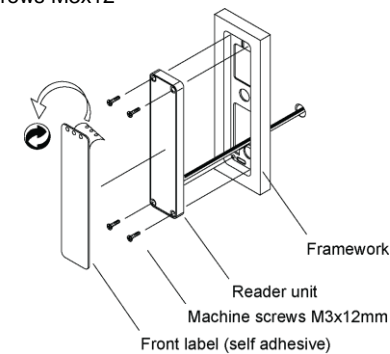
Art. No.: 460035 (Anthracite grey 7016)

Art. No.: 460039 (Silver RAL 9006)

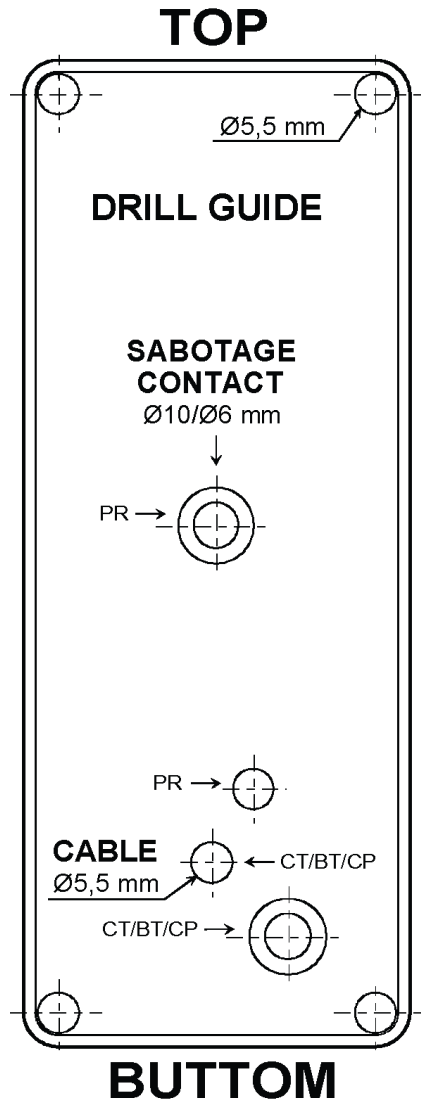
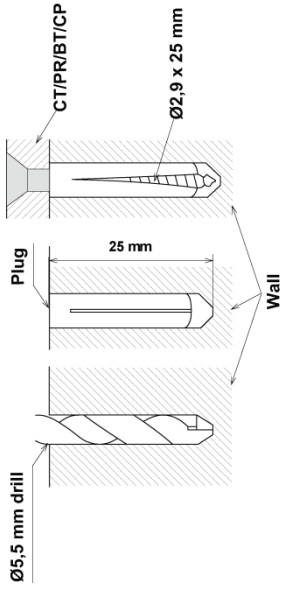
Other colors made by order.

The framework contains:

- 1 pcs Frame (H x W x D) 156 x 76 x 15
- 4 pcs Machines screws M3x12



Note that casting can cause variations, so check the cable's location before drilling cable hole!



Note that casting can cause variations, so check the cable's location before drilling cable hole!

